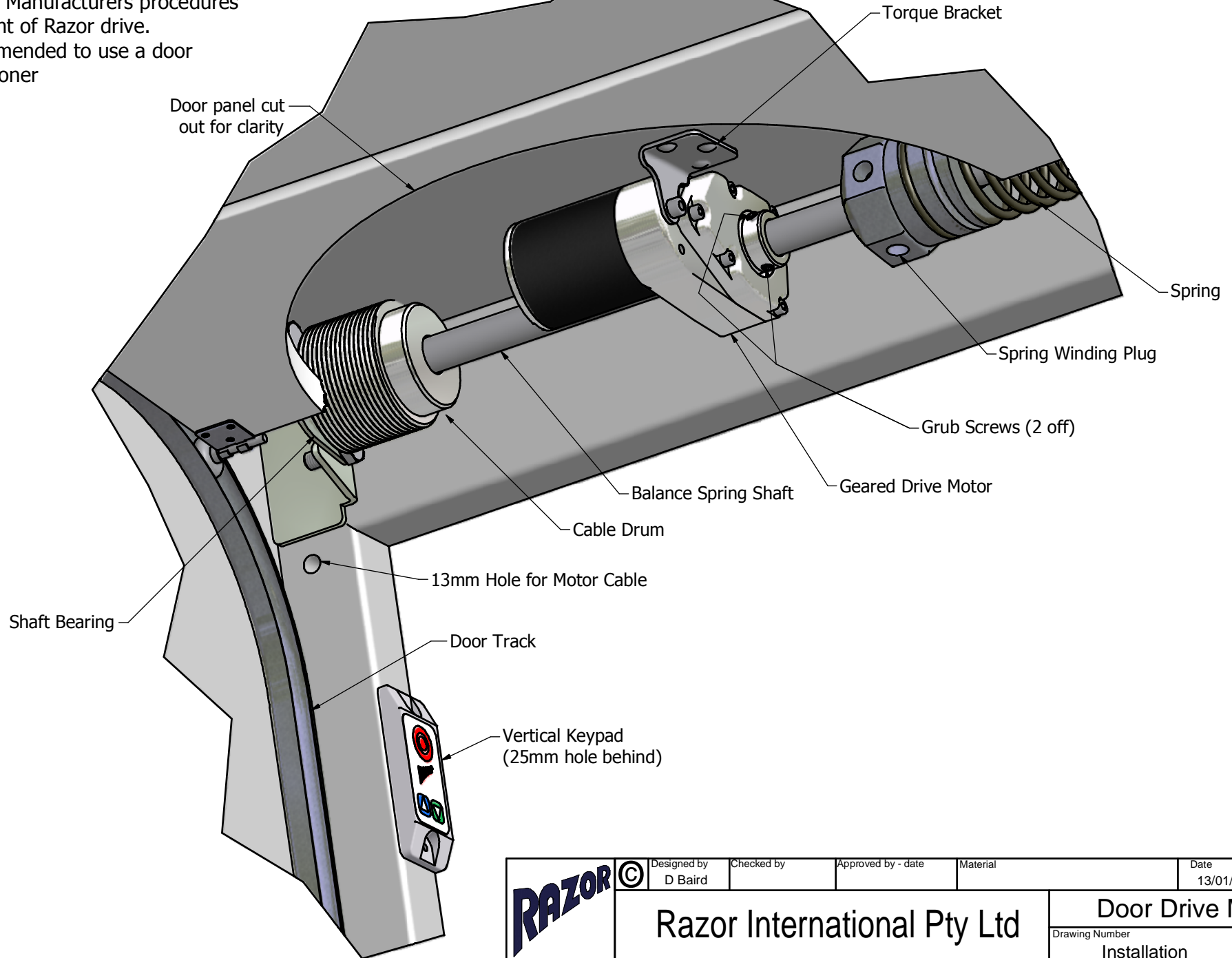


Warning - High Spring Forces.

Refer to Door Manufacturers procedures prior to fitment of Razor drive.
Highly recommended to use a door fitment practioner



RAZOR ©	Designed by D Baird	Checked by	Approved by - date	Material	Date 13/01/2009	Sheet 1 / 1
	Razor International Pty Ltd				Door Drive Motor	
Drawing Number Installation					Edition	