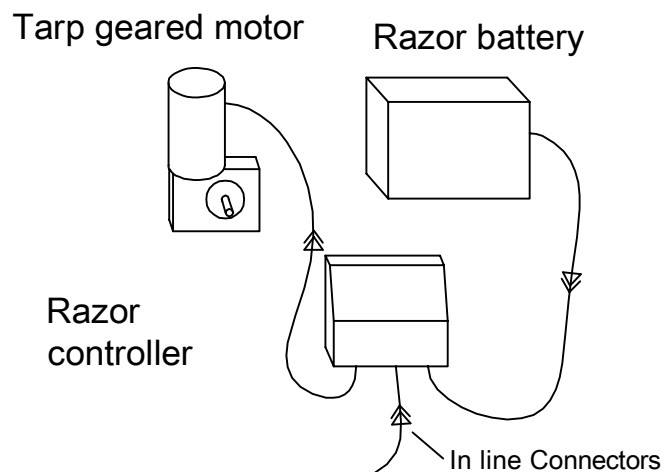




# WIRING SCHEMATIC - TARP SYSTEM

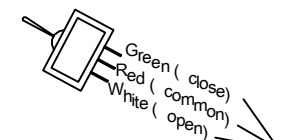
Dec 2010

## Trailer Mounted



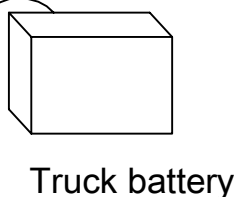
## Truck Mounted

In Cab mounted 2 way momentary action switch

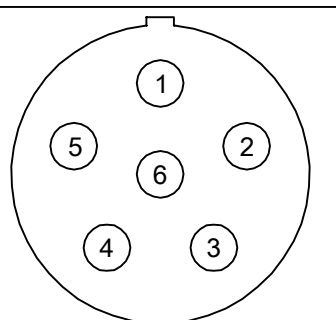


Control harness via rear pivot

6 pin trailer plug & socket



- 1 - Blue - Auxillary Positive( Charge)
- 2 - Green - Close
- 3 - Yellow - Open
- 4 - Red - Common
- 5 - White - Earth
- 6 - Brown - Clearance Positive ( Charge)
- Black - Spare



Numbers designations as notated on plug