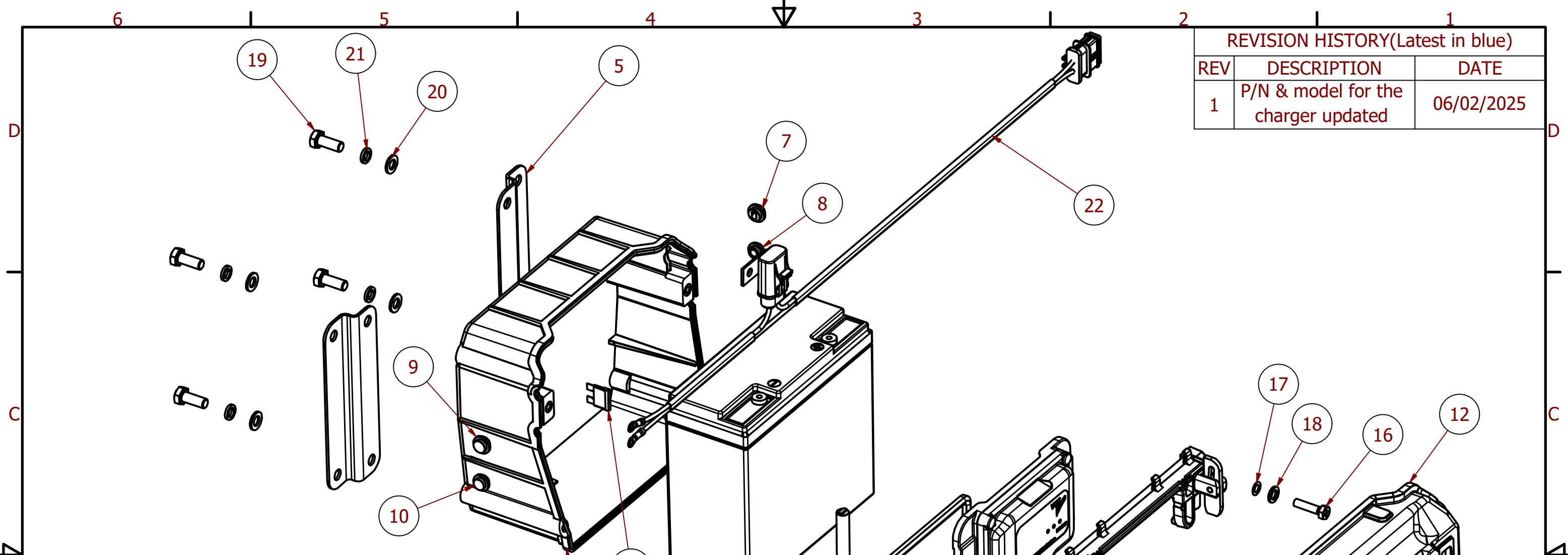


REVISION HISTORY(Latest in blue)		
REV	DESCRIPTION	DATE
1	P/N & model for the charger updated	06/02/2025



PARTS LIST

ITEM	QTY	PART NUMBER	DESCRIPTION
1	1	1212L	LiFePO4 Battery
2	1	P-0100A	Battery Cradle Assembly
5	2	P-0730	Battery Bracket
7	1	P-0860	Battery Harness Grommet
8	1	P-0880	Charge Harness Plug
9	1	P-0870	Battery Harness Plug
10	1	P-0890	Charge Harness Grommet
11	1	P-0150A	Battery Clamp Assembly
12	1	P-0200A	Battery Cover Assembly
13	1		Spare 40amp Fuse
14	1	E-B2U	Universal Battery Charger
15	1	PN0043B	Manual Over-ride Handle
16	2	BH 6 x 25	M6 x 25 Hexagon Bolts
17	2	WF 6	6mm Flat Washers
18	2	WS 6	6mm Spring Washers
19	4	BH 8 x 20	M8 x 20 Hexagon Bolts
20	4	WF 8	8mm Flat Washers
21	4	WS 8	8mm Spring Washers
22	1	P-0510	Battery Harness

Remove all burrs and sharp edges

LINEAR DIMENSION TOL. (ISO-2768-f)					ANGULAR DIMENSION TOL.(ISO-2768-f)					
Nominal Length Range					Nominal Length Range					
FROM	0.5	>6	>30	>120	>400	0	>10	>50	>120	>400
TO	6	30	120	400	1000	10	50	120	400	
TOL.	±0.05	±0.1	±0.15	±0.2	±0.3	±1°	±0°30'	±0°20'	±0°10'	±0°5'



Designed by Ivan	Checked by	Approved by - date	Material	Date 18/06/2021	Sheet 1 / 1
Razor International Pty Ltd			Power Kit		
			Drawing Number P-1000R	Edition 1	