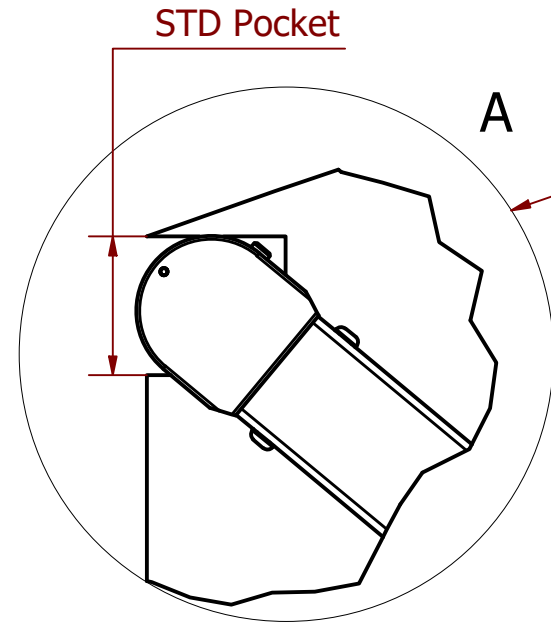


ROLLOVER TARP REVERSE REVERSE ARM INSTALLATION(STD Pocket)

(Issue date: Jan 2026)

Position: Tarp Fully Closed



STD Pocket

A

A

400*

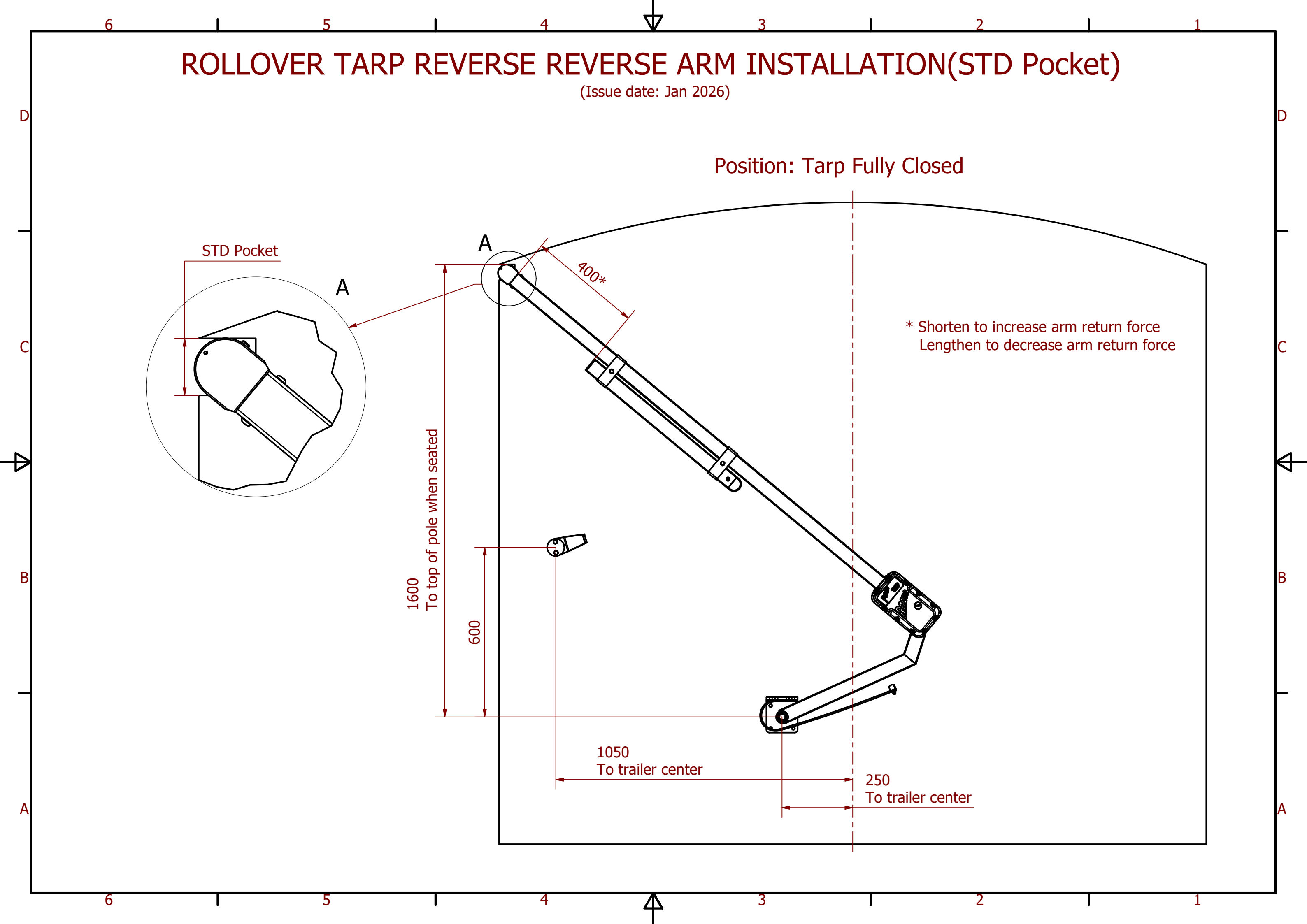
* Shorten to increase arm return force
Lengthen to decrease arm return force

1600
To top of pole when seated

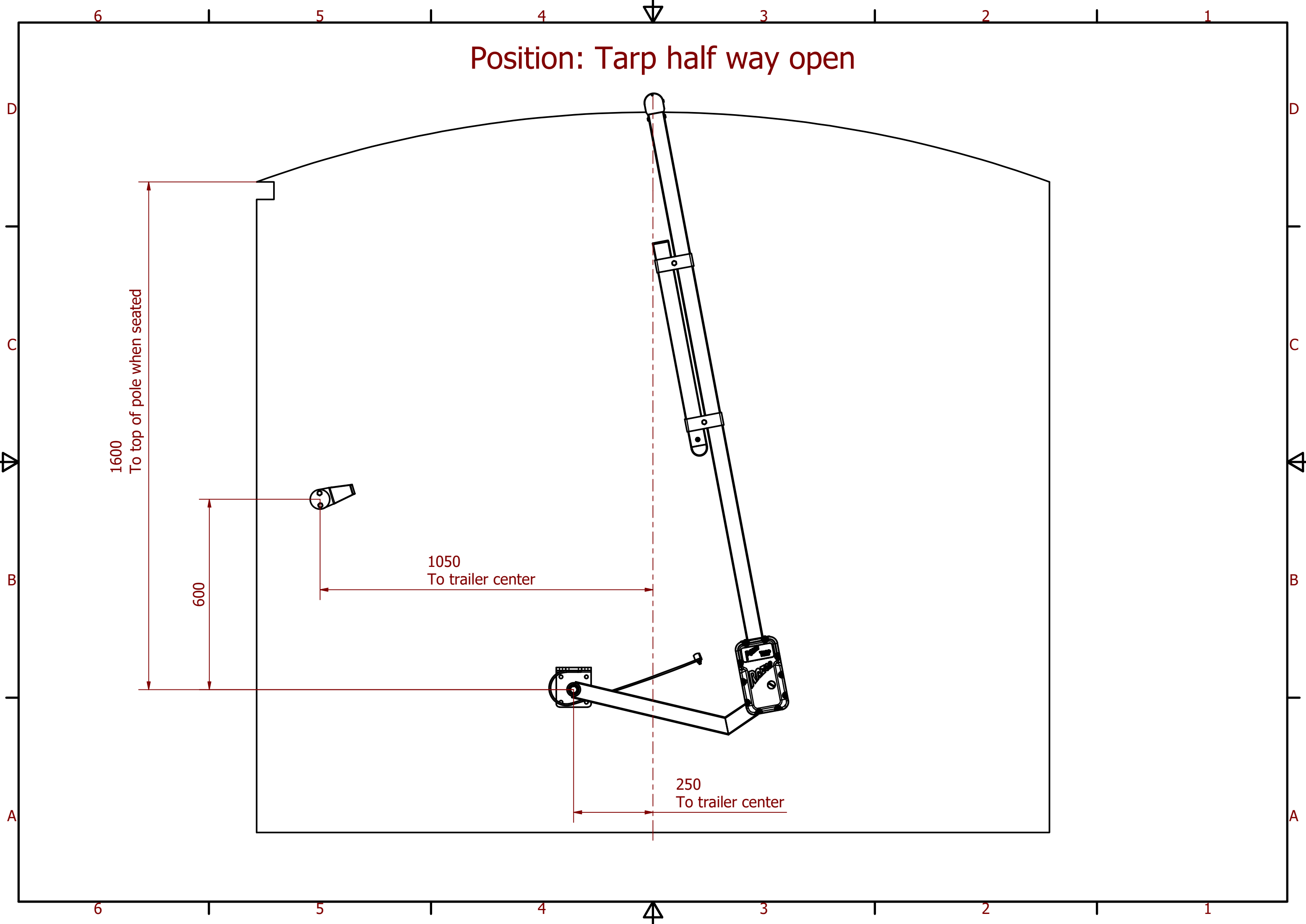
600

1050
To trailer center

250
To trailer center



Position: Tarp half way open



1600
To top of pole when seated

600

1050
To trailer center

250
To trailer center

D

C

B

A

D

C

B

A

6

5

4

3

2

1

6

5

4

3

2

1

Position: Tarp fully open

