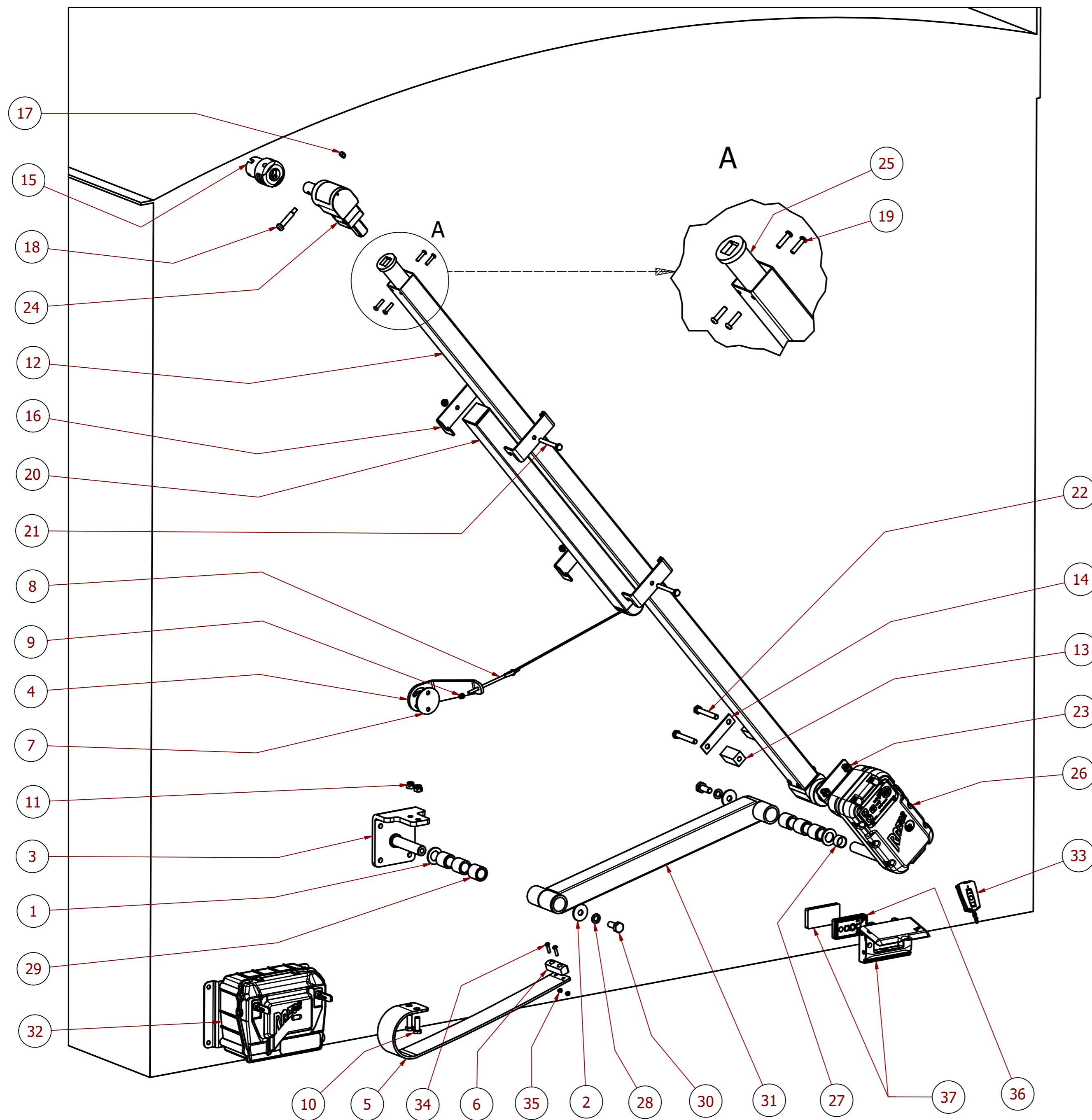


RAZOR DII ROLLOVER SYSTEM PARTS BREAKDOWN

Issue date: June 2023



PARTS LIST				
ITEM	QTY	PART NUMBER	DESCRIPTION	
1	2	A-R-1013	Base washer	
2	2	A-R-1020	Bolt washer	
3	1	55-382	Base Assembly	
4	1	A-R-1120	Cable Anchor	
5	1	55-220	Balance Spring	
6	1	51-221	Spring Wear Block	
7	1	A-R-1130	Cable Anchor Washer	
8	1	38-080	Eye Bolt	
9	1	NN 6	M6 Hex Nyloc Nut	
10	2	BH 10 x 30	M10 x 30 Hex bolts	
11	2	NN 10	M10 Hex Nyloc Nut	
12	1	51-0040	Gearbox Tube	
13	2	A-R-1230	Torque Spacer	
14	1	A-R-1220	Torque clamp	
15	1	55-110	Pole coupling	
16	4	55-160	Tensioner Half Clamp	
17	3	NN 8	Hex Nylock Nut	
18	1	PN0075SS	Hex Socket Shoulder Screw	
19	8	PN0074A	Housing bolts	
20	1	CT750	Cable Tensioner	
21	2	BH 8 x 70	M8 x 70 Hex bolts	
22	2	BH 10 x 70	M10x70 Hex bolts	
23	2	NN 10	Hex Nylock Nut	
24	2	A-R-G000	RA Box Assembly	
25	1	55-0082	Drive Shaft Assembly (1665mm)	
26	1	DII-R	Delta II Rollover Drive (Harness not shown)	
27	1	A-R-1055	Torque Bush	
28	1	WS 12	12mm Spring washers	
29	6	PN0045A	Guide Bush	
30	1	BH 12 x 30	M12x30 Hex bolts	
31	1	55-505	Balance Arm (STD) w/o bushes	
32	1	P-1000R	Razor Power Kit(Harnesses not shown)	
33	1	E-W3	3 Button Remote	
34	2	SP 5 x 20	M5x20 pan head screws	
35	2	NN 5	Hex Nut	
36	1	E-W4-H	Horizontal remote	
37	1	E-M-1000	Delta bezel housing kit	
38	1	PN0001F	Power Extension Harness(not shown)	

	Designed by Ivan	Checked by	Approved by - date	Material	Date 5/07/2023	Sheet 1 / 1
	Razor International Pty Ltd			Razor DII Rollover Tarp Kit		
	Drawing Number DII-7R23			Edition		