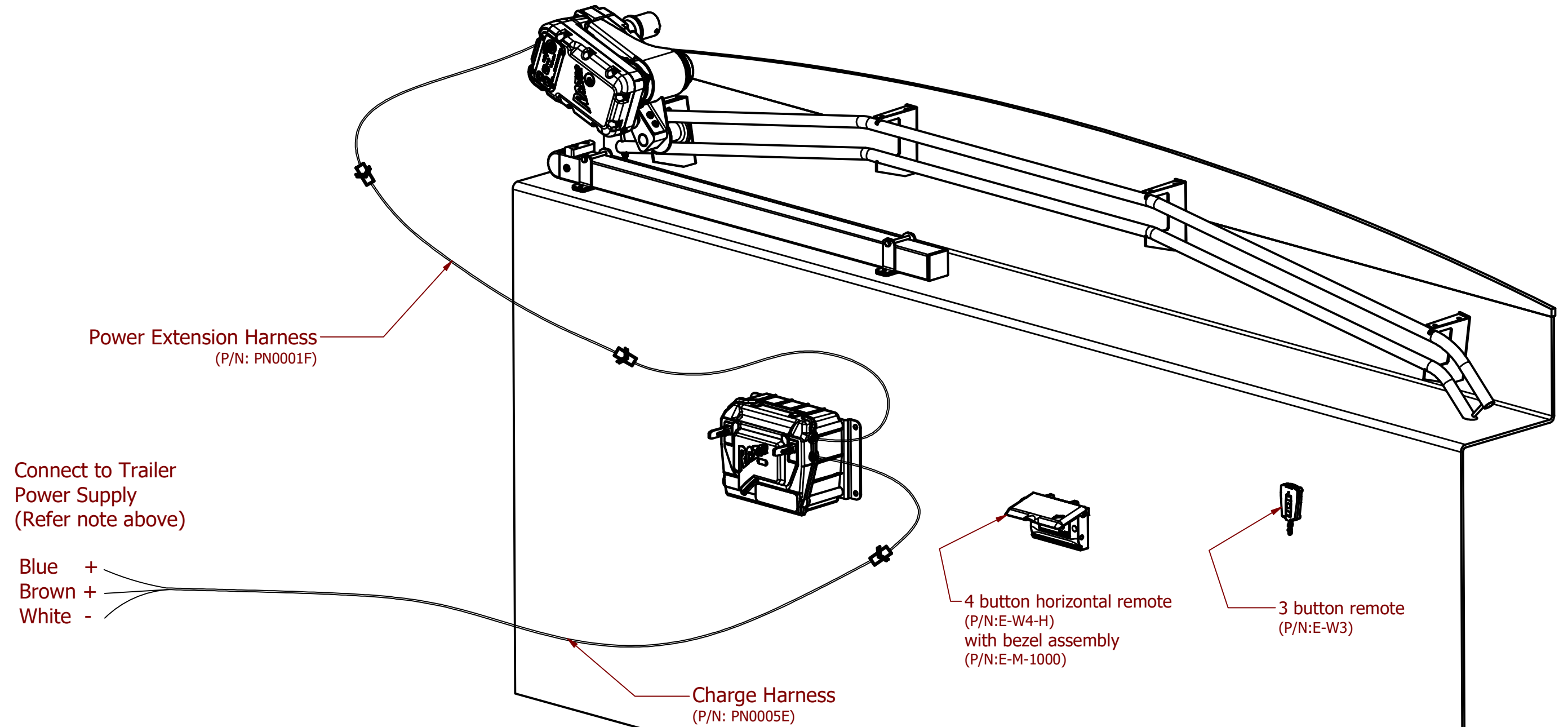


# Razor DII Toprunner System Wiring Schematic

Issue date: June 2023



Note: Power is required (10.5 to 30VDC) to main battery.  
Ensure the input power is constant DC from 12V or 24V system.

Connect matching wire colors between Razor and Trailer Harness.  
i.e Blue to Blue(auxillary), Brown to Brown(clearance) and White to White(negative)