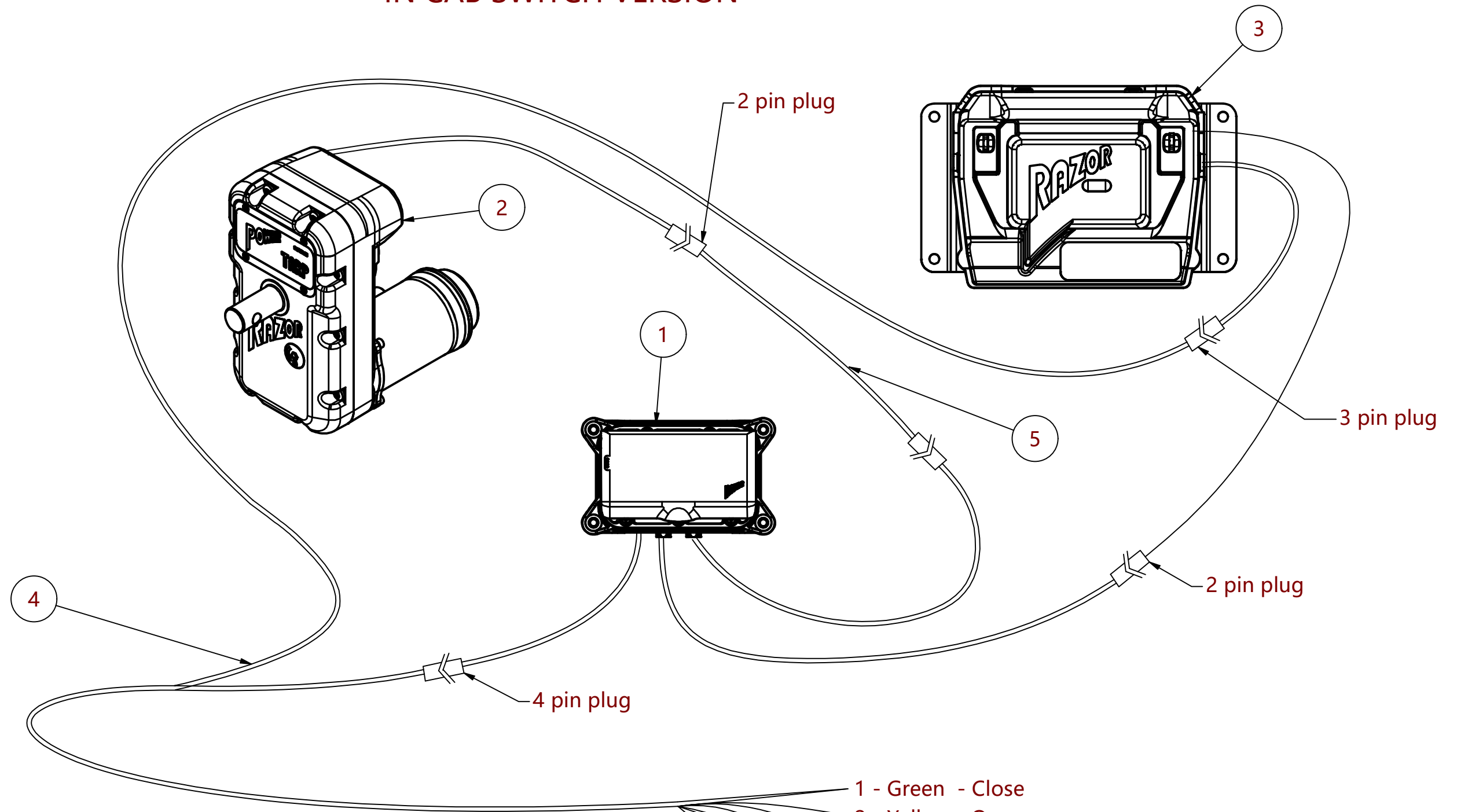


Razor RII TARP SYSTEM WIRING SCHEMATIC (CII-W)

IN CAB SWITCH VERSION



- 1 - Green - Close
- 2 - Yellow - Open
- 3 - Red - Common - SWITCH WIRE ONLY
DO NOT CONNECT POWER
- 4 - White - Earth
- 5 - Brown - Clearance Positive (charge)
- 6 - Blue - Auxillary Positive (charge)
- Black - Spare

PARTS LIST

ITEM	QTY	PART NUMBER	DESCRIPTION
1	1	CII-W	Controller(In cab version)
2	1		RII FTB Tarp Drive
3	1	P-1000R	Power Kit
4	1	PN0011D	Control & charge harness Extension
5	1	PN0001F	Power extension harness