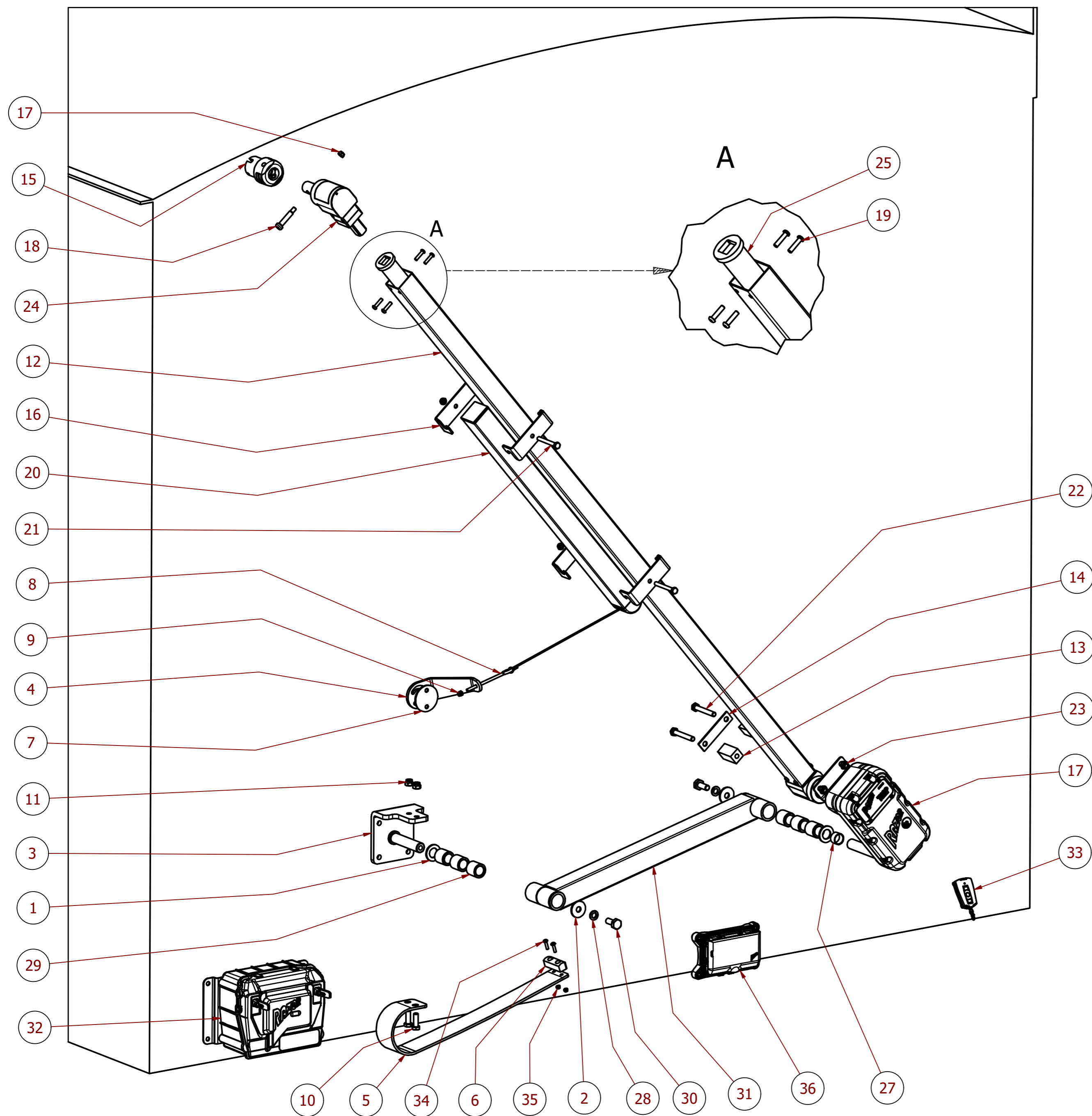


RAZOR RII ROLLOVER SYSTEM PARTS BREAKDOWN

Issue date: June 2023



PARTS LIST

ITEM	QTY	PART NUMBER	DESCRIPTION
1	2	A-R-1013	Base washer
2	2	A-R-1020	Bolt washer
3	1	55-382	Base Assembly
4	1	A-R-1120	Cable Anchor
5	1	55-220	Balance Spring
6	1	51-221	Spring Wear Block
7	1	A-R-1130	Cable Anchor Washer
8	1	38-080	Eye Bolt
9	1	NN 6	M6 Hex Nyloc Nut
10	2	BH 10 x 30	M10 x 30 Hex bolts
11	2	NN 10	M10 Hex Nyloc Nut
12	1	51-0040	Gearbox Tube
13	2	A-R-1230	Torque Spacer
14	1	A-R-1220	Torque clamp
15	1	55-110	Pole coupling
16	4	55-160	Tensioner Half Clamp
17	3	NN 8	Hex Nylock Nut
18	1	PN0075SS	Hex Socket Shoulder Screw
19	8	PN0074A	Housing bolts
20	1	CT750	Cable Tensioner
21	2	BH 8 x 70	M8 x 70 Hex bolts
22	2	BH 10 x 70	M10x70 Hex bolts
23	2	NN 10	Hex Nylock Nut
24	2	A-R-G000	RA Box Assembly
25	1	55-0082	Drive Shaft Assembly (1665mm)
26	1	RII-R	Razor RII Rollover Drive (Harness not shown)
27	1	A-R-1055	Torque Bush
28	1	WS 12	12mm Spring washers
29	6	PN0045A	Guide Bush
30	1	BH 12 x 30	M12x30 Hex bolts
31	1	55-505	Balance Arm (STD) w/o bushes
32	1	P-1000R	Razor Power Kit(Harnesses not shown)
33	1	E-W3	3 Button Remote
34	2	SP 5 x 20	M5x20 pan head screws
35	2	NN 5	Nyloc Hex Nut
36	1	CII-R	Controller
37	1	PN0001F	Power Extension Harness(not shown)

	Designed by Ivan	Checked by	Approved by - date	Material	Date 5/07/2023	Sheet 1 / 1
	Razor International Pty Ltd			Razor RII Rollover Tarp Kit		
	Drawing Number RII-ROLL23			Edition		