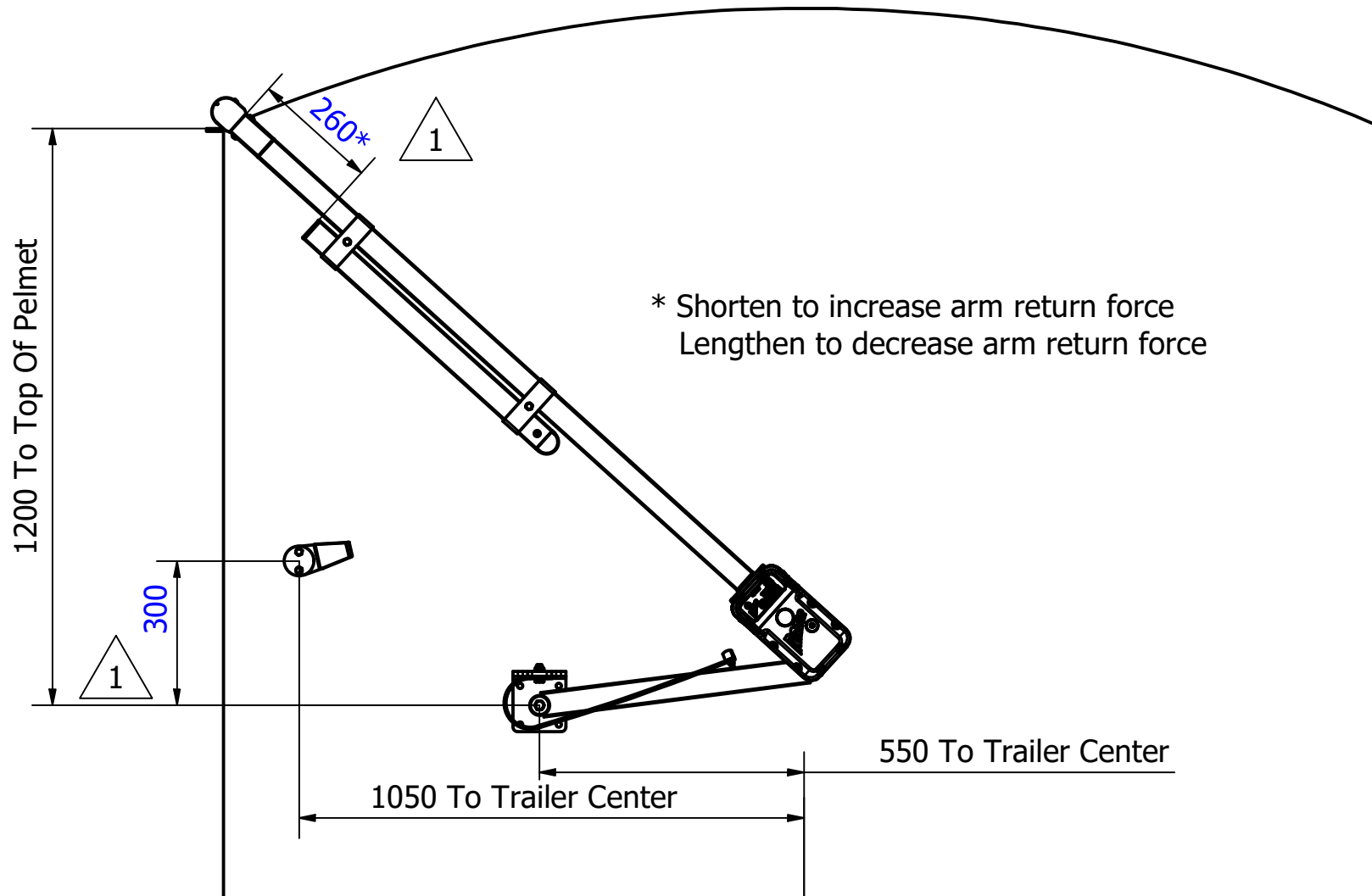


# DELTA ROLLOVER TARP LOW INSTALL (STANDARD)



## REVISION HISTORY(Latest in blue)

REV	DESCRIPTION	DATE
1	Cable tensioner & cable anchor locations refined	26/03/2021

Note: SHS tube length is 1500mm.