



Service Bulletin 15

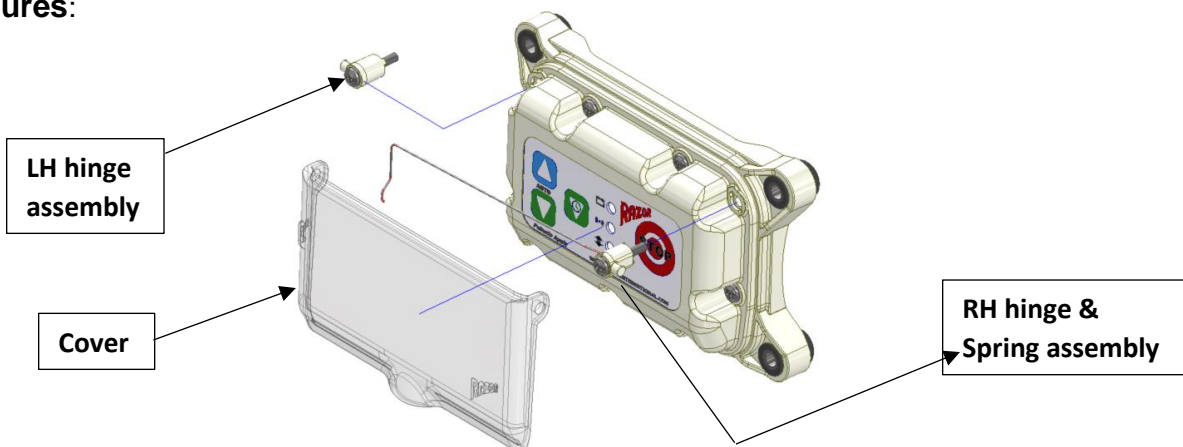
Revision: 1

Razor International Pty Ltd, Campbellfield VIC
service@razorinternational.com
1300 555 865

CII Controller Cover Replacement

Affected Product: CII Controller

Procedures:

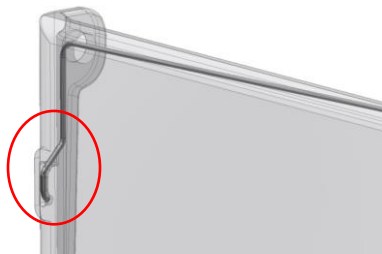


1. Fit the RH hinge& Spring assembly onto the right side hinge pocket on the controller top housing & tighten the screw (Max torque 3N.m)



Note: Ensure the spring circled in red is located within the slot of the hinge to avoid excessive spring force applied.

2. Insert the cover axle of the RH hinge& Spring assembly onto the pivot hole on the cover right hand side
3. Insert the spring end on the other end into the cover slot as per below detail.



4. Insert the cover axle on the LH hinge assembly onto the pivot hole on the cover left hand side, then fit onto the left hand side hinge pocket on the controller top housing & tighten the screw (Max torque 3N.m). Now the cover is ready to use.