

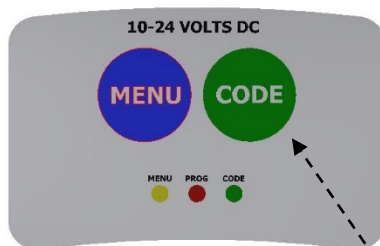


# Wireless Hybrid Remote Channels


**Affected Product:** 55-0401 Old style Wireless Hybrid.

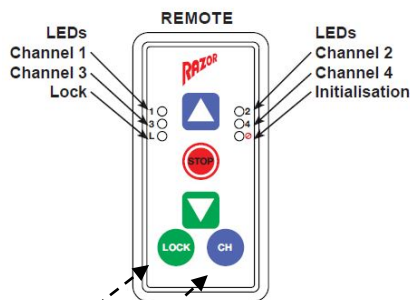
### Procedures:

The **STEPS** that channel programs a wireless remote to hybrid remote receivers are as follows:



#### 1. Delete existing coding of wireless remote from truck & trailer receivers.

To delete the wireless remote, press and hold the green "CODE" button on receive keypad for 10 seconds, initially indicated by a green led illuminating, then keep holding the green "CODE" button until all three lights flashing three times  (Yellow + Red + Green). Then release the button.



#### 2. Add Channel 2 in remote (-Maximum 4 Channels can be added).

Press and hold "Lock" & "CH" buttons on the wireless remote for 5 seconds until the light No. 1 illuminates. Then, keeping finger on "Lock" button, release "CH" button, then press "CH" button once until two red lights illuminate (channel 1 & 2). Then, release "Lock" button.

**3. To program a wireless remote to hybrid remote receiver in Truck.**

1. Press "CH" button to select CH1 (indicated by red light on remote) on 1.
2. Press and hold "Code" button on receiver keypad until green light illuminate (Green). ○ ○ ●
3. Press blue "Up" button on the remote once initially and then twice. The green led on receiver keypad will illuminate for 3 seconds ○ ○ ● (Green) and then disappear. This indicates the remote is now keyed in Channel 1 to Truck.

**4. To program the wireless remote to hybrid remote receiver in Trailer.**

1. Press "CH" button to select CH2 (indicated by red light on remote) on 2.
2. Press and hold "Code" button on receiver keypad until green light illuminate (Green). ○ ● ○
3. Press blue "Up" button on the remote once initially and then twice. The green led on receiver keypad will illuminate for 3 seconds ○ ○ ● (Green) and then disappear. This indicates the remote is now keyed in Channel 2 to trailer.

*\* To add 2nd (or 3rd or 4th) wireless remote, repeat above steps.*